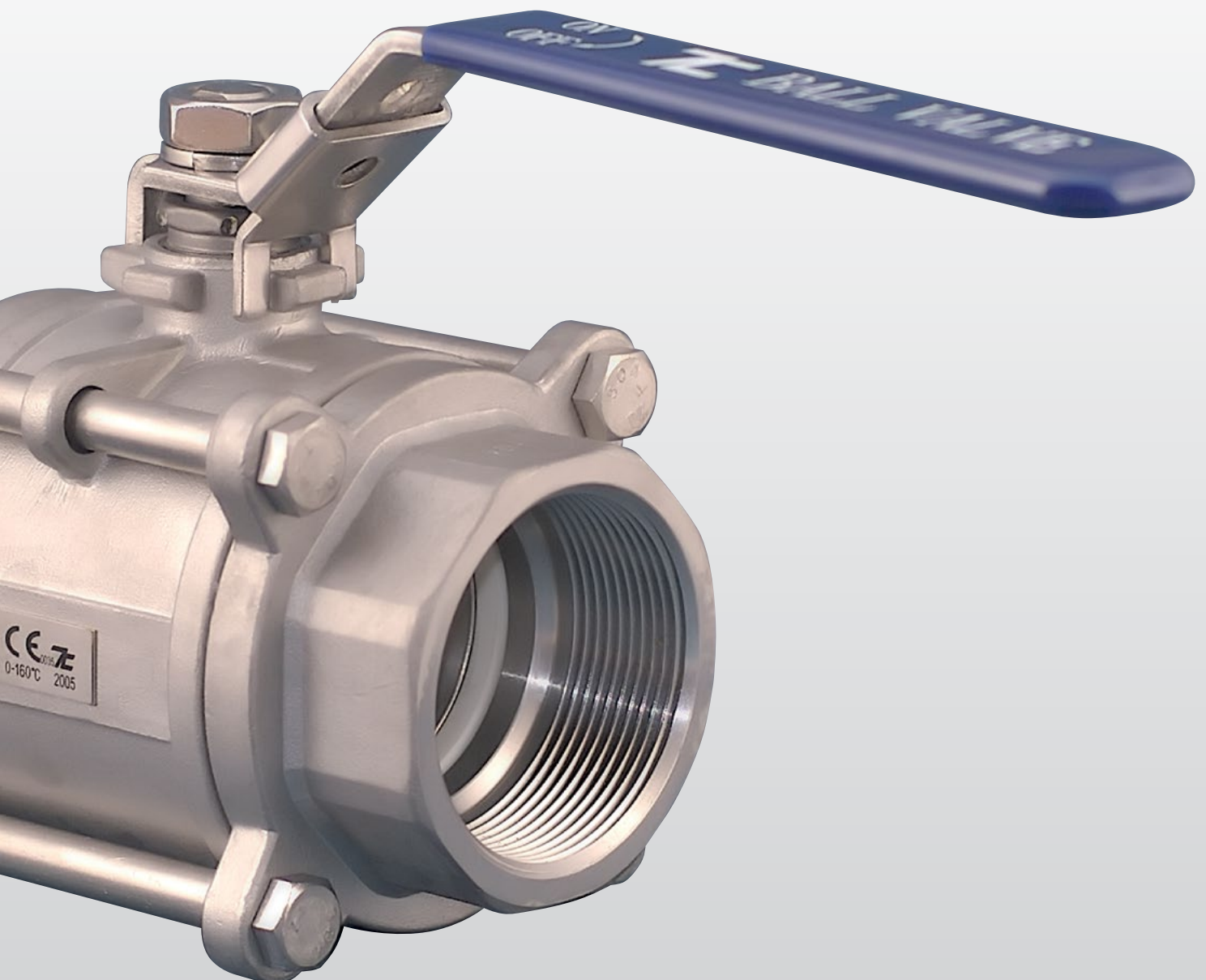




ESBOvalve

A 302

The A 302 is a silicone-free, blow-off proof ball valve with two-piece body and threaded ends



ESB0valve

A 302

The ESB0valve A 302 is a ball valve with three-piece body and threaded ends. It is silicone-free and has a blow-off proof stem design.



Technical data

Through-bore	1/4" - 4"
Overall length	DIN 3202 M3
Pressure class	PN 100 (1/4" - 1"), PN 63 (1 1/4" - 4")
Enclosure, end cap, ball	1.4408 (316)
Spindle	1.4401 (316)
Thrust washer, spring washer, nut	1.4301 (304)
O-ring	PTFE
Ball seal, sliding ring, packing box, etc.	PTFE, TFM 1600 or RTFE
Handle	1.4301 (304), plastic covering
Threaded ends	DIN EN 10226-1 (previously DIN 2999-1), NPT or BS
Actuators	Hand lever

Dimensions

Size	Bore	ØD	L
1/4"	DN 8	10,6	75
3/8"	DN 10	12,7	75
1/2"	DN 15	15	75
3/4"	DN 20	20	80
1"	DN 25	25	90
1¼"	DN 32	32	110
1½"	DN 40	38	120
2"	DN 50	50	140
2½"	DN 65	63,5	185
3"	DN 80	76	205
4"	DN 100	100	240

ØD: Bore diameter of the ball

L: Face-to-face length of the ball valve
All dimensions in millimeters (mm)

Approvals

TR-Certificate of the Russian Federation



**ESBO-Edelstahl
Rohre und Verbindungsteile GmbH**

Erbsengasse 28
D-69469 Weinheim
Germany

Phone +49 6201 63081
Fax +49 6201 17917

info@esbo-edelstahl.com
www.esbo-edelstahl.com